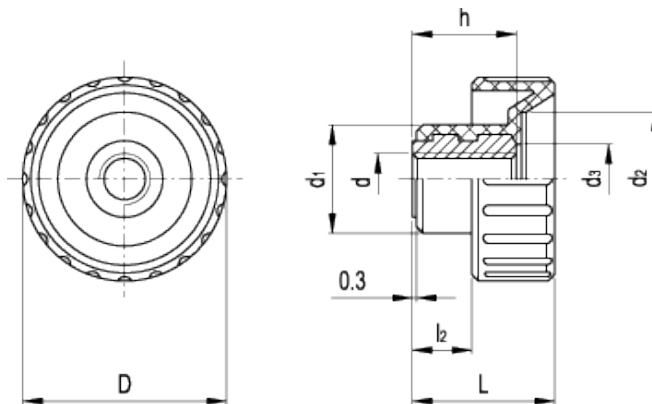


BT.FP

Fluted grip knobs



ELESA Original design



technical informations

Material

Polyamide based (PA) technopolymer. Resistant to solvents, oils, greases and other chemical agents.

Colour

Black, matte finish.

Assembly

Brass boss, tapped through hole.

Standard Elements		Main dimensions						Mounting hole		Weight
Code	Description	D	L	d ₁	d ₂	d ₃	l ₂	d _{6H}	h	g
6331	BT.16 FP-M4	16	13	11	9	5	5	M4	10	4
6336	BT.16 FP-M5	16	13	11	9	6	5	M5	10	5
6531	BT.20 FP-M6	20	16	11.5	11	7	6	M6	12	7
6631	BT.25 FP-M6	25	19	16	15	7	8	M6	14	9
6636	BT.25 FP-M8	25	19	16	15	9	8	M8	14	11
6730	BT.32 FP-M6	32	22	17	21	7	9	M6	16	18
6731	BT.32 FP-M8	32	22	17	21	10	9	M8	16	15
6732	BT.32 FP-M10	32	22	17	21	11	9	M10	16	13
6803	BT.40 FP-M10	40	27	19	25	14	13	M10	20	25
6850	BT.50 FP-M10	50	28.5	22	31	14	13.5	M10	20	32



ELESA and GANTER models all rights reserved in accordance with the law. Always mention the source when reproducing our drawings.

STANDARD MACHINE ELEMENTS WORLDWIDE