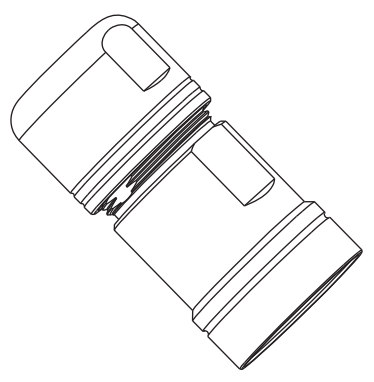
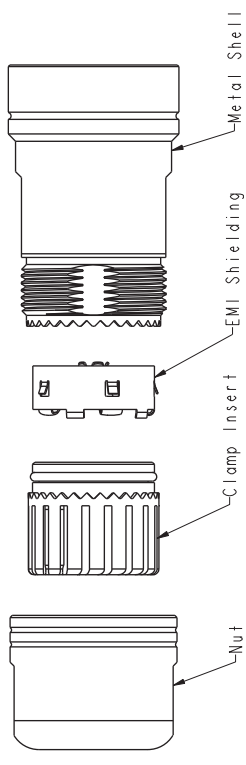


安费诺精密连接器(深圳)有限公司
Amphenol PCD Shenzhen
受 控 文 件
2012 年 03 月 05 日

Table A

Shell size	Amphenol P/N.	Crimp Range	Connector						
			Thread	ØA	B	C			
10	RT0S-10CG-#1	3~6.5mm	9/16-24 UNEF	17.20	15.9	17.9	42.5	19.00	
	RT0S-10CG-#2	5~8.5mm							52.5
	RT0L-10CG-#1	3~6.5mm							
	RT0L-10CG-#2	5~8.5mm							
12	RT0S-12CG-#1	6~10.5mm	11/16-24 UNEF	21.50	19.9	21.9	47.0	23.00	
	RT0S-12CG-#2	8.5~12.5mm							57.0
	RT0L-12CG-#1	6~10.5mm							
	RT0L-12CG-#2	8.5~12.5mm							
14	RT0S-14CG-#1	6~10.5mm	13/16-20 UNEF	23.50	19.9	21.9	48.0	23.00	
	RT0S-14CG-#2	8.5~12.5mm							57.0
	RT0L-14CG-#1	6~10.5mm							
	RT0L-14CG-#2	8.5~12.5mm							
16	RT0S-16CG-#1	9.0~14.5mm	15/16-20 UNEF	26.50	24.9	24.9	52.0	26.50	
	RT0S-16CG-#2	13.5~17mm							61.0
	RT0L-16CG-#1	9.0~14.5mm							
	RT0L-16CG-#2	13.5~17mm							
18	RT0S-18CG-#1	9.0~14.5mm	1"1/16-18 UNEF	30.00	25.9	24.9	52.0	26.50	
	RT0S-18CG-#2	13.5~17mm							61.0
	RT0L-18CG-#1	9.0~14.5mm							
	RT0L-18CG-#2	13.5~17mm							

Note:
In the table: the "*" represent "S", "C";
when the "*"="S", the cord grip have EMI shielding ring;
when the "*"="C", the cord grip have no EMI shielding ring.



Technical Specification
1. Material:
Metal Shell: Zinc alloy, nickel plated.
Nut: Zinc alloy, nickel plated.
EMI shielding: Stainless Steel
Clamp Insert: thermoplastic, UL 94V-0, Black.
2. Operation temperature: -40°C~125°C
3. Available wire spec: see table A

MATERIALS LIST

UNLESS OTHERWISE SPECIFIED: 1) All dimensions are in metric (mm). 2) Tolerances are as follows: 1 PL DEC ±0.30 2 PL DEC ±0.15 3 PL DEC ±0.05		MATERIAL SPECIFICATIONS: SIZVE Systems Corporation A Subsidiary of Amphenol Corporation	
DATE: 03-Mar-12		PROCESS SPECIFICATIONS: Back Shell, straight, Cord Grip	
SIGNATURE: <i>Linda</i>		DATE: 03-Mar-12	
DRAWN: Brandon		DATE: 03-Mar-12	
CHECKED: [Signature]		DATE: 2012.03.14	
ENGINEER: [Signature]		DATE: 2012.03.14	
APPROVAL: [Signature]		DATE: 2012.03.14	
CUSTOMER: [Signature]		DATE: 2012.03.14	

THIRD ANGLE PROJECTION	SCALE
1:1	1:1

SHEET 1 OF 1	REV. ASSY: