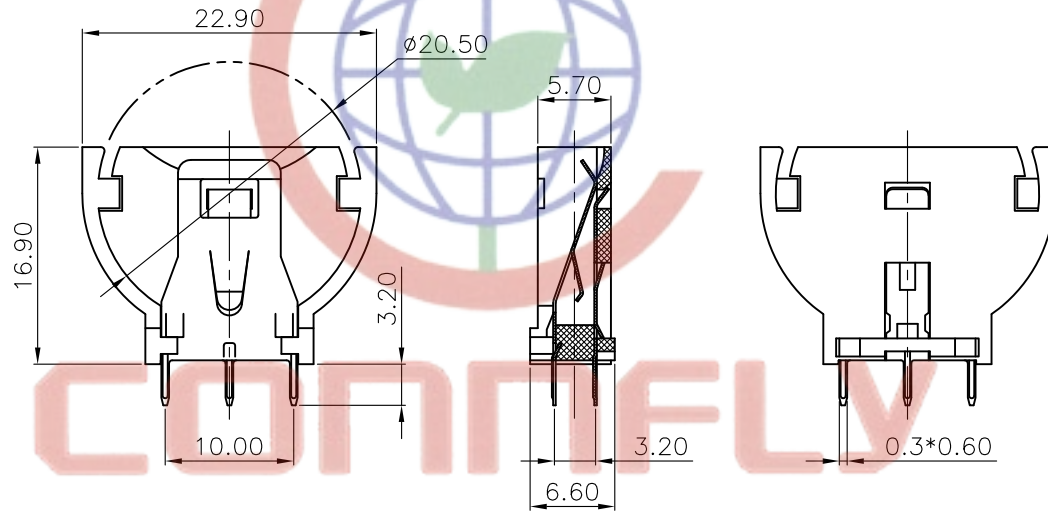


REV.	DESCRIPTION	DRAWN	CHECKED	APPROVED
A	NEW RELEASE	YCH 08/07/12'	~	



**NOTE:**

**1. Materials:**

1.1 Base: Thermoplastic, UL94 V-0, Color of black.  
Temp. Range: -40°C to +105°C.

1.2 Positive & Negative Contacts: Copper Alloy.

**2. Specification:**

2.1 Dielectric Withstanding Voltage: AC 500V AC.

2.2 Insulation Resistance: 1000MΩ min.

2.3 Contact Resistance: 100mΩ Max.

**3. Part Number Code:**

DS1092-02 - X X X

Housing material:

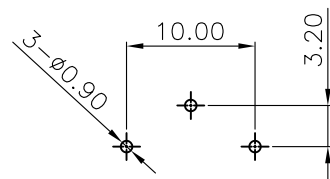
P: PBT

Contact plating:

6: Tin

Housing color:

B: Black




Recommend PCB Layout  
Tolerance=±0.05

Tel:86-574-63508787

Fax:86-574-63510817

E-mail:sale@zhenqin.com.cn

Http://www.connfly.com

GENERAL TOLERANCE		ANGLE TOLERANCE		PROJECTION	TITLE	2032 Lithium Coin Cell Battery Holders Upright insert type	
X.	±0.60	X.	±5°	mm	SHEET	DS1092-02 Series	
.X	±0.38	.X	±3°	A4	Add: East Zone Xingyan		
.XX	±0.25	.XX	±2°	Town Xingyan, Ningbo, China			
DRAWING TYPE		CUSTOMER		 <b>晨翔电子有限公司</b> <b>CONNFLY ELECTRONIC CO. LTD</b>			
SCALE		SHEET					
DRAWING NO.		C-DS1092-02-XXX-A					