



Alcoswitch

TE Internal #: 1-1571076-0

TE Internal Description: PRASA1-16F-BB0BW=POWER ROCKER

[View on TE.com >](#)

Relays, Contactors & Switches > Switches > Rocker Switches



Switch Type: **Power**

Mounting Type: **Panel**

Indicator/Imprint Legend: **O --**

Panel Cutout Size: **13 x 19.2 mm [.514 x .754 in]**

Switch Contact Plating Material: **Silver**

Features

Product Type Features

Product Type	Switch
Switch Type	Power
Lamp	Without
LED	Without
Actuator Type	Top
Actuator Style	Rocker

Configuration Features

Indicator/Imprint Color	White
Indicator/Imprint Legend	O --
Panel Cutout Size	13 x 19.2 mm[.514 x .754 in]
Configuration (Pole-Throw)	Single Pole - Single Throw
Operating Function	On Off

Electrical Characteristics

Voltage Rating	125 VAC
----------------	---------

Body Features

Beveled Frame Color	Black
Actuator Color	Black

Contact Features

Terminal Tab Width	4.75 mm[.187 in]
--------------------	------------------



Switch Contact Plating Material	Silver
---------------------------------	--------

Contact Current Rating	16 A
------------------------	------

Termination Features

Termination Type	Quick Connect
------------------	---------------

Mechanical Attachment

Mounting Angle	Vertical
----------------	----------

Mounting Type	Panel
---------------	-------

Housing Features

Process Sealed	No
----------------	----

Industry Standards

UL Listed	File No. E46765
-----------	-----------------

VDE Tested	Yes
------------	-----

Product Compliance

[For compliance documentation, visit the product page on TE.com>](#)

EU RoHS Directive 2011/65/EU	Compliant
------------------------------	-----------

EU ELV Directive 2000/53/EC	Compliant
-----------------------------	-----------

China RoHS 2 Directive MIIT Order No 32, 2016	No Restricted Materials Above Threshold
---	---

EU REACH Regulation (EC) No. 1907/2006	Current ECHA Candidate List: JUL 2019 (201) Candidate List Declared Against: JUL 2017 (174) Does not contain REACH SVHC
--	---

EU REACH Regulation (EC) No. 1907/2006	Current ECHA Candidate List: JUL 2019 (201) Candidate List Declared Against: JUL 2017 (174)
--	--

Halogen Content	Low Halogen - Br, Cl, F, I < 900 ppm per homogenous material. Also BFR/CFR/PVC Free
-----------------	---

Solder Process Capability	Not applicable for solder process capability
---------------------------	--

Product Compliance Disclaimer

This information is provided based on reasonable inquiry of our suppliers and represents our current actual knowledge based on the information they provided. This information is subject to change. The part numbers that TE has identified as EU RoHS compliant have a maximum concentration of 0.1% by weight in homogenous materials for lead, hexavalent chromium, mercury, PBB, PBDE, DBP, BBP, DEHP, DIBP, and 0.01% for cadmium, or qualify for an exemption to these limits as defined in the Annexes of Directive 2011/65/EU (RoHS2). Finished electrical and electronic equipment products will be CE marked as required by Directive 2011/65/EU. Components may not be CE marked. Additionally, the part

numbers that TE has identified as EU ELV compliant have a maximum concentration of 0.1% by weight in homogenous materials for lead, hexavalent chromium, and mercury, and 0.01% for cadmium, or qualify for an exemption to these limits as defined in the Annexes of Directive 2000/53/EC (ELV). Regarding the REACH Regulations, TE's information on SVHC in articles for this part number is still based on the European Chemical Agency (ECHA) 'Guidance on requirements for substances in articles' (Version: 2, April 2011), applying the 0.1% weight on weight concentration threshold at the finished product level. TE is aware of the European Court of Justice ruling of September 10th, 2015 also known as O5A (Once An Article Always An Article) stating that, in case of 'complex object', the threshold for a SVHC must be applied to both the product as a whole and simultaneously to each of the articles forming part of its composition. TE has evaluated this ruling based on the new ECHA "Guidance on requirements for substances in articles" (June 2017, version 4.0) and will be updating its statements accordingly.

Compatible Parts



TE Model / Part # 1571076-9
PRASA1-16F-BB000=POWER ROCKER



TE Model / Part # 1571083-2
PRASC1-16F-BBR00=POWER ROCKER



TE Model / Part # 1571079-4
PRASD1-16F-BB000=POWER ROCKER



TE Model / Part # 1571079-7
PRASD3-16F-BB000=POWER ROCKER



TE Model / Part # 1-1571076-1
PRASA1-16F-BB0CW=POWER ROCKER



TE Model / Part # 1571078-4
PRASB2-16F-BBR00=POWER ROCKER



TE Model / Part # 1571079-9
PRASD3-16F-BB0GW=POWER ROCKER



TE Model / Part # 1-1571079-6
PRASD5-16F-BB0KW=POWER ROCKER



TE Model / Part # 1-1571076-2
PRASA1-16L-BB000=POWER ROCKER



TE Model / Part # 1-1571076-4
PRASA1-16L-BB0CW=POWER ROCKER



TE Model / Part # 2-1571076-1
PRASA3-16F-BB0JW=POWER ROCKER



TE Model / Part # 1-1571079-4
PRASD4-16F-BB0FW=POWER ROCKER

Customers Also Bought



TE Model / Part #4-1825136-5
A101SYCQ04



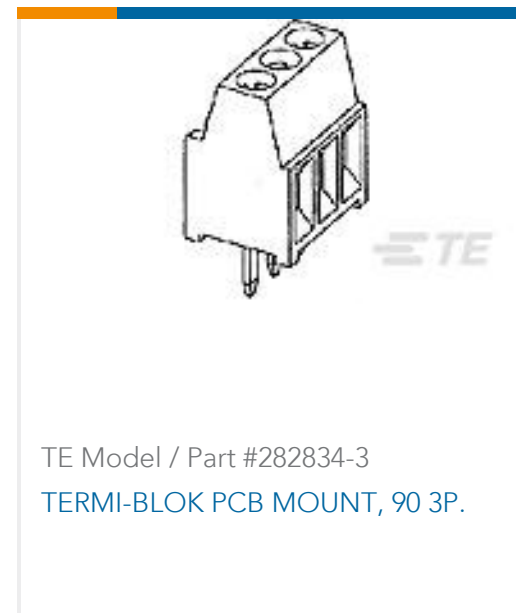
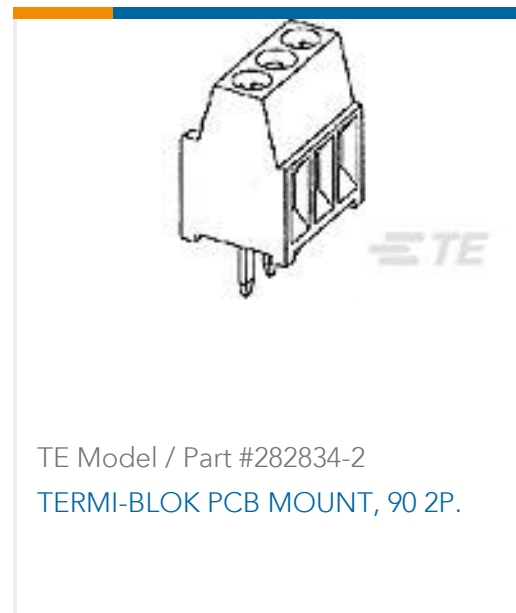
TE Model / Part #1-1337543-0
BNC Ins R/A PCB Skt 50Ohm White



TE Model / Part #1-1634612-0
BNC Ins R/A PCB Skt 50Ohm Black



TE Model / Part #1-1879417-9
CPF 0603 1M0 0.1% 25PPM 1K RL



Documents

Product Drawings

[PRASA1-16F-BB0BW=POWER ROCKER](#)

English

CAD Files

Customer View Model

[ENG_CVM_CVM_1-1571076-0_L.2d_dxf.zip](#)

English

3D PDF

3D

Customer View Model

[ENG_CVM_CVM_1-1571076-0_L.3d_igs.zip](#)

English

Customer View Model

[ENG_CVM_CVM_1-1571076-0_L.3d_stp.zip](#)

English

By downloading the CAD file I accept and agree to the [Terms and Conditions](#) of use.

Datasheets & Catalog Pages

[SWITCHES_CORE_PROGRAM_CATALOG](#)

English

[1654742_HOUSEHOLD_APPLIANCES_RAST5](#)

English

Product Environmental Compliance

[TE Material Declaration](#)

English

