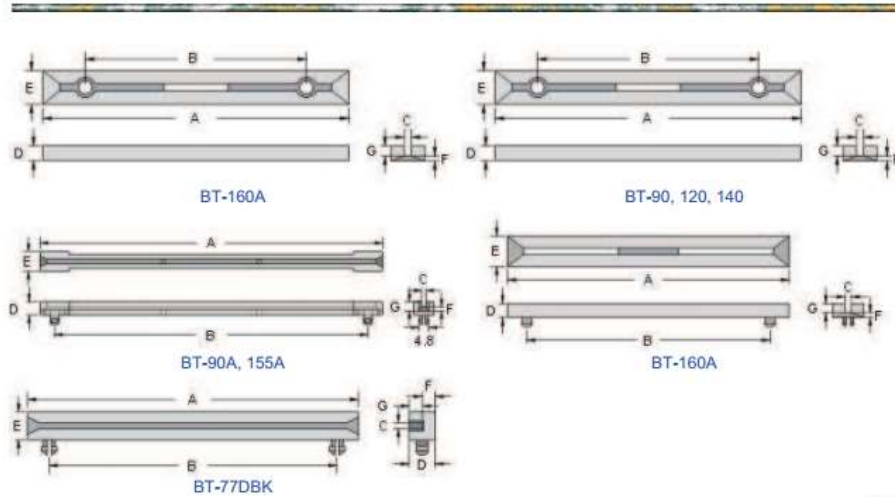


1110 KSS Circuit Board Track



- Material: UL approved Nylon 66, 94V-2.
- Color: Natural, available in other colors.
- To be fixed by 2 sets of 3mm flat-head screw.
- ★ BT-90A, BT-155A, BT-160A with snap in design.



Unit: mm

| Item No. | A | B | C | D | E | F | G | Packing |
|----------|-------|-------|-----|-----|-----|-----|-----|---------------|
| BT-90A | 89.5 | 77.5 | 2.0 | 4.5 | 9.7 | 1.5 | 3.0 | 100 pcs / Bag |
| BT-90 | 89.5 | 64.4 | 2.0 | 4.5 | 9.7 | 1.5 | 3.0 | |
| BT-120 | 119.0 | 94.5 | 2.0 | 4.5 | 9.5 | 1.5 | 3.0 | |
| BT-140 | 142.0 | 116.4 | 2.0 | 4.5 | 9.7 | 1.5 | 3.0 | |
| BT-155A | 154.0 | 141.0 | 2.0 | 4.6 | 6.5 | 1.3 | 3.3 | |
| BT-160 | 160.5 | 134.5 | 2.0 | 4.5 | 9.7 | 1.5 | 3.0 | |
| BT-160A | 163.0 | 149.5 | 2.0 | 6.5 | 9.5 | 4.0 | 2.5 | |
| BT-77DBK | 77.0 | 67.0 | 1.4 | 6.0 | 6.6 | 1.5 | 3.0 | |