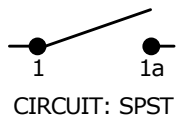
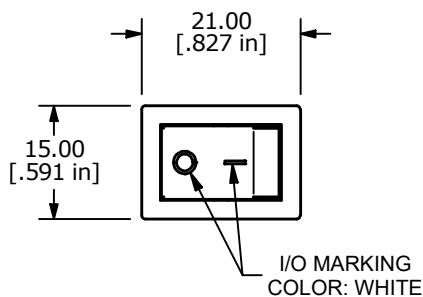
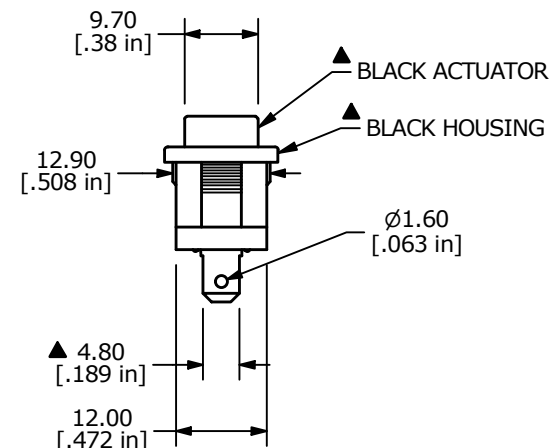
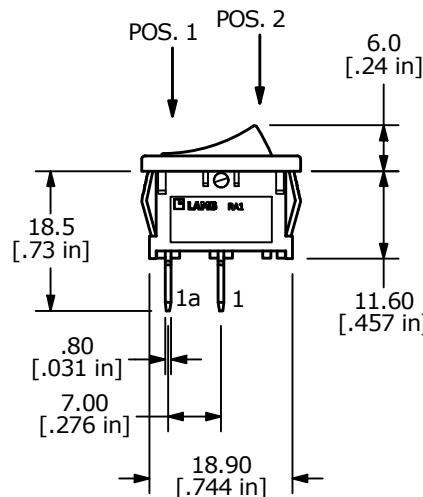


RECOMMENDED PANEL MOUNTING

PANEL THICKNESS	X +0.10/-0.00
0.75-1.25mm	0.756 [19.2]
1.25-2.00mm	0.764 [19.4]
2.00-3.00mm	0.772 [19.6]



SWITCH FUNCTION	
POS. 1	POS. 2
OFF	ON
OPEN	1a-1



NOTE:

- DIMENSIONS IN MM [INCH]
- GENERAL TOLERANCE: X.X = ± 0.4  
X.XX = ± 0.25
- TERMINAL NUMBERS FOR REF ONLY
- CONTACT MATERIAL: SILVER
- CONTACT RATINGS: ANSI/UL 1054 and CAN/CSA C22.2 No. 55 (E194579):  
10A @ 125VAC [UR, cUR]
- CONTACT RESISTANCE: 35mΩ MAX. @ 50VAC
- INSULATION RESISTANCE: 100MΩ MIN. @ 500VAC
- DIELECTRIC STRENGTH: 1,500VAC FOR 1 MINUTE
- ELECTRICAL LIFE: 6,000 CYCLES [UR, cUR]
- OPERATING TEMPERATURE: -20°C to 105°C [UR, cUR]
- ▲ DENOTES CRITICAL PARAMETER

REV	ECO NO	DESCRIPTION	DATE	BY				OBJECT ID	
F	ECO-100375	REMOVE VDE/ENEC RATING AND LOGO	01/10/22	JS	TITLE RA11131121			000001380	
THE INFORMATION CONTAINED IN THIS DOCUMENT IS PROPRIETARY TO E-SWITCH AND IS NOT TO BE COPIED OR TRANSFERRED					SCALE	DATE	DR	DWG	REV
					1:2	3/5/2012	MM	38-RA11131121	F